

Standard Preparation Cupboard Base for Sink Top (2 hinged door) - no top, 700mm

ITEM # _____

MODEL # _____

NAME # _____

SIS # _____

AIA # _____


133183 (RSAU7002HD)

 Cupboard Base for Sink Top
 (2 hinged door) - no Top,
 700mm

Short Form Specification

Item No. _____

Made entirely from stainless steel. Inner welded frame in stainless steel. No top unit for integrated solutions without back panel for sink piping connection. Base panel in 304 AISI stainless steel and height-adjustable intermediate shelf. Sound-deadened hinged door. Mounted on feet, adjustable in height.

Main Features

- Handles in stainless steel for better hygiene and reliability.
- Sturdiness, stability and reliability of table accurately tested.

Construction

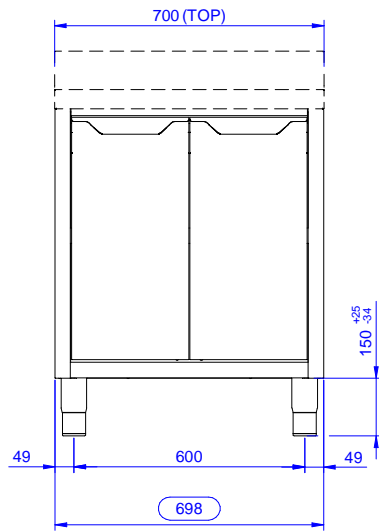
- Unit without backpanel for easy installation.
- Reinforced side and base panel in 304 AISI stainless steel.
- 304 AISI stainless steel feet, 200 mm high and 54 mm in diameter, adjustable by -50/+30 mm.
- Inner welded frame in stainless steel to guarantee superior strength and stability.
- Easy access to the cupboard interior on all lengths guaranteed by the use of only 2 doors.
- Sturdy sound-deadened hinged doors on tracks located flush to the front of the frame.
- Hinged door with sound deadening internal panels, fitted with 304 AISI stainless steel hinges on the inner sides.
- 100 mm upstand with 10 mm radiused corner and 13 mm deep, designed to be used against a wall.
- Without top for integrated solutions.

Optional Accessories

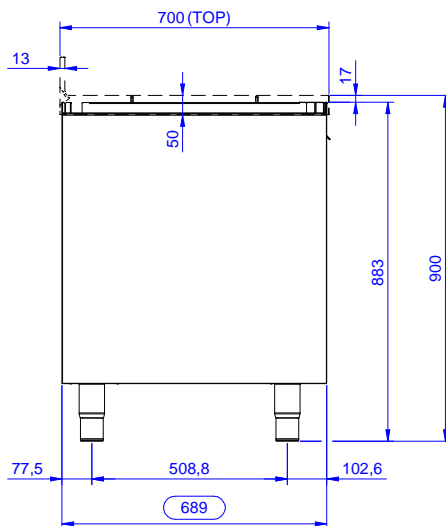
- Stainless steel front kicking strip PNC 133205
- Side kicking strip, 700 mm PNC 133206

APPROVAL: _____

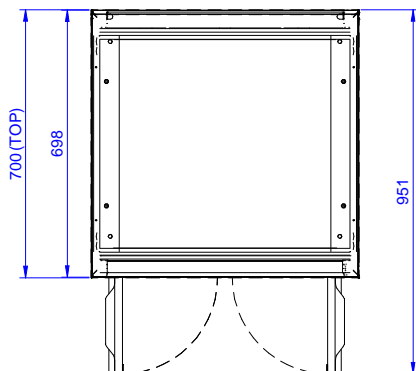
Front



Side



Top


Key Information:

Cabinet width:	
133183 (RSAU7002HD)	645 mm
Cabinet depth:	645 mm
Cabinet height:	650 mm
External dimensions, Width:	700 mm
External dimensions, Depth:	700 mm
External dimensions, Height:	883 mm
Number and type of doors:	2 Hinged
Net weight:	27 kg